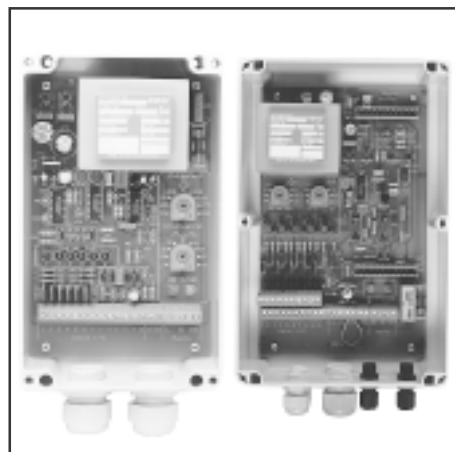




FEATURES

- Compact electronic sequential controllers for up to 16 outputs
- Adjustable pulse and interval times
- Outputs in semiconductor technology suitable to control solenoids in 24 VDC (36W max.)
- Input to start or stop the sequence from an external contact from ΔP measurement
- Alarm output relay available (not on E908.106)
- LED indication for output signals and for function mode
- Electrically protected by a fuse
- Option ΔP module can be simply plugged in and will be fully integrated
- Protected against touching unsafe life parts, also without cover



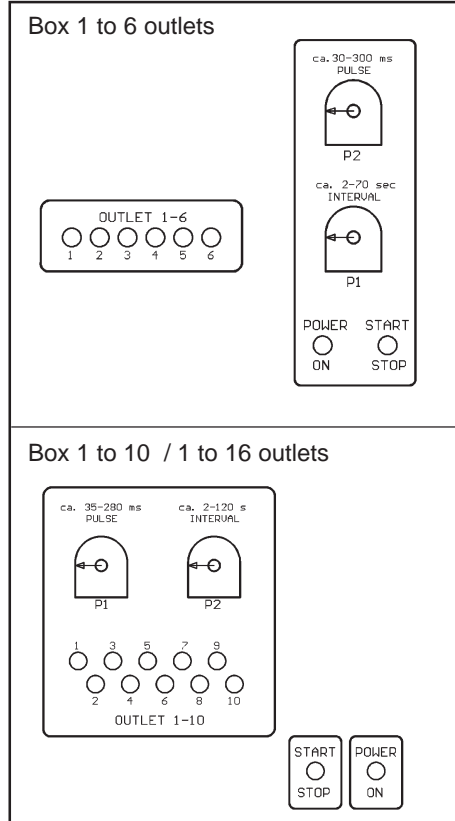
CONSTRUCTION

Lower enclosure PC (Polycarbonate)
Cover PC (Transparent Polycarbonate)

ELECTRICAL CHARACTERISTICS

Standard voltages (1)
output 24V DC
power supply 220V - 250V/50-60Hz

max. power rating each output (2)	ambient temperature range	degree of protection	
		printed circuit	enclosed
36 W	-20 to +60°C	IP 00	IP 65



SPECIFICATIONS

number of outputs	pulse time (signal on) (ms)	interval time (signal off) (s)	catalogue number with box (3)	suitable plug-in type ΔP detector (4)	alarm relay included
6	30 - 300	2 - 70	E908.106	no	no
10	35 - 280	2 - 120	E908.210	yes	yes
16	35 - 280	2 - 120	E908.216	yes	yes

(1) Other voltages are available on request.
 (2) 64 watt for pulse time up to 100 msec. max.
 (3) For units without enclosure add prefix "P"; Example: PE908.210
 (4) Plug-in type ΔP module, to be ordered separately (see page V901-67)

OPTIONS

- Other supply voltages
- Plug-in type ΔP detector type E908.535

INSTALLATION

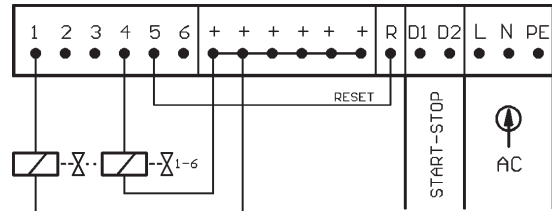
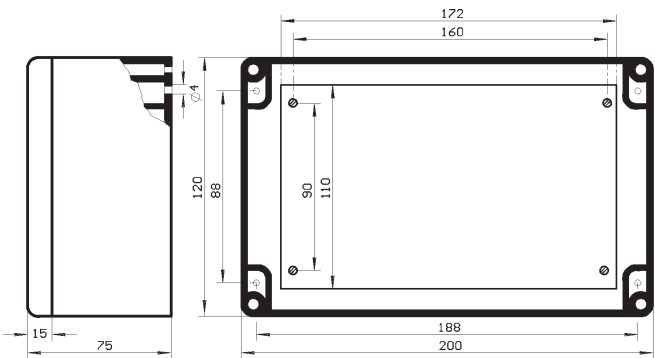
- For electrical connections see diagrams below
- Each unit is provided with a protective fuse 0.4 A/T
- Maximum contact load on Alarm terminal:
220 - 250V AC - 1A
30 V DC 0.5A
- Installation/maintenance instructions are included with each Dust collector controller

DIMENSIONS (mm), WEIGHT (kg)

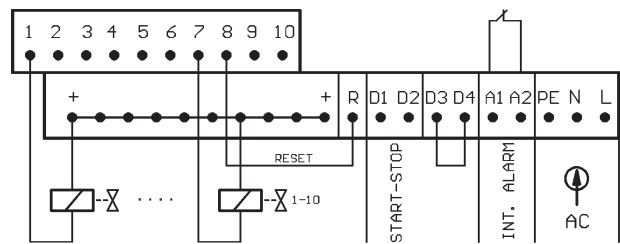
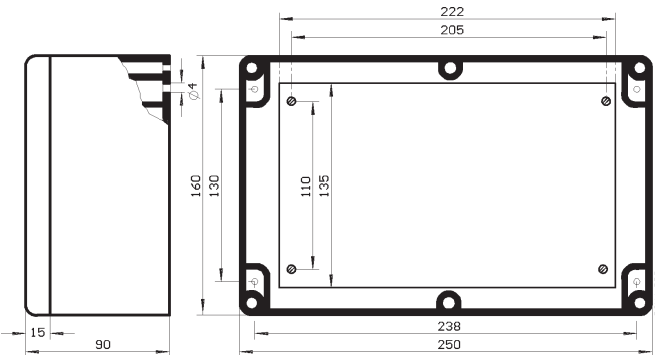


WIRING DIAGRAMS

E908.106 (model with 6 outlets)



E908.210 (model with 10 outlets)
E908.216 (model with 16 outlets)



type	weight
E908 106	2,5
E908 210	3,5
E908 216	3,5