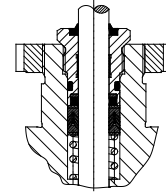


Technical Data Sheet

Stuffing box seal acc.

TA-Luft VDI 2440 / VDI 3479 / DIN EN ISO 15848-1



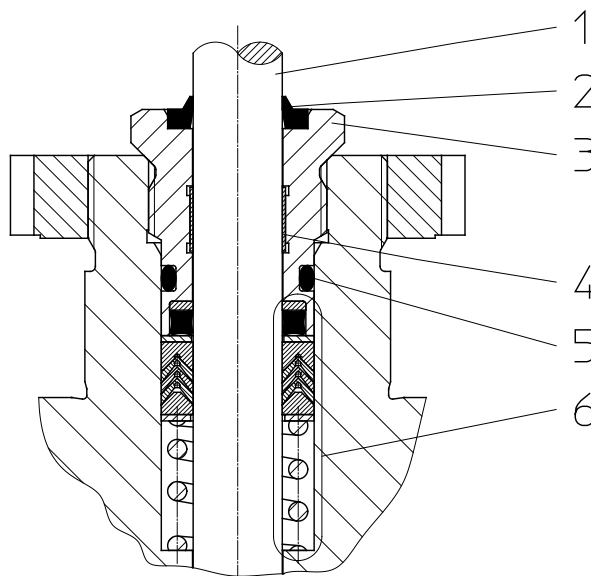
TD_TA-L

General Data

| | |
|---------------------------------------|------------------------------|
| Series | 8C and 6N |
| Nominal size DN /NPS | 15-400 / ½" – 16" |
| Nominal pressure PN / ANSI | 10-40 / Class 150-300 |
| Stem diameter (mm) | Ø10 to Ø40 |
| Operating temperature | -46°C to 200°C |

Materials

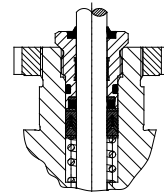
| Item | Name | Material |
|------|--------------------|---|
| 1 | Stem | 1.4571 superfinished acc. AA KE 09 |
| 2 | Wiper ring | NBR |
| 3 | Stuffing box screw | 1.4542 / 17-4PH |
| 4 | Plain bearing | PTFE |
| 5 | O-ring | Viton |
| 6 | Seal set | PTFE/Coal (V-Ring) Viton (Quadring) 1.4310 (Spring) |



Technical Data Sheet

Stuffing box seal acc.

TA-Luft VDI 2440 / VDI 3479 / DIN EN ISO 15848-1



TD_TA-L

BESCHEINIGUNG ◆ ATTESTATION ◆ 証明書 ◆ СВИДЕТЕЛЬСТВО ◆ CONSTANCIA ◆ ATTESTAZIONE



Industrie Service

Attestation of leak rate

Attestation-No. IS-AN5-MUC-1802-5010137472-001

ARCA Regler GmbH
Kempener Str. 18
47918 Tönisvorst

We hereby confirm that the stem seal specified below and made by the above company was tested and approved according to VDI 2440 / VDI 3479 / EN ISO 15848-1 with more stringent requirements regarding the leak rate. For more detailed information see test report (No. 2840110).

Product description:

- Stem seals V-ring packing with additional precision sealing element for temperatures from RT to 200 °C
- Stem seals V-ring packing with additional precision sealing element for temperatures from -46 °C to RT

The product satisfies the following requirements:

- TA-Luft standard according to VDI 2440 / VDI 3479 (helium leak test)
- Leak testing according to EN ISO 15848-1 [$\lambda \leq 1 \cdot 10^{-4} \text{ mbar} \cdot \text{l} \cdot \text{s}^{-1} \cdot \text{m}^{-1}$]
- Visual verification of the required contact pressure in accordance with the operating instructions
- Specified structure of the seal assembly
- Number of cycles: 100,000

Performance category:

Stem seals for temperatures from RT to 200 °C
ISO FE BH-CC3-SSA 0-t (RT, 200 °C)-PN50/-Class 300

Stem seals for temperatures from -46 °C to RT
ISO FE BH-CC3-SSA 0-t (-46 °C, RT)-PN50/-Class 300

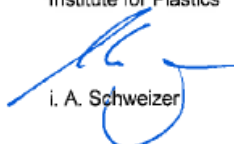
The product meets the leak-test requirements defined in Section 5.2.6.4 of the TA-Luft standard.

The certificate covers leak testing as per VDI 2440 / VDI 3479 / EN ISO 15848-1 to verify tightness / compliance with the specific leak rate defined in the TA-Luft standard [$\lambda = 10^{-4} \text{ mbar} \cdot \text{l} \cdot \text{s}^{-1} \cdot \text{m}^{-1}$] and extended tests under the above operating conditions.

This attestation is valid to February 2021.

Munich, 20 February 2018

TÜV SÜD Industrie Service GmbH
Institute for Plastics


i. A. Schweizer



TUV®

